



CPU AIR COOLER MAESTRO PLUS 42SA



Product Website



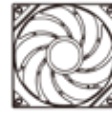
PACKAGE CONTENTS

A



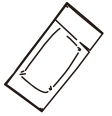
Air Cooler
(With Digital Panel)

B



ARGB PWM Fan

C



Thermal Paste

D



x4

AMD Stand-off

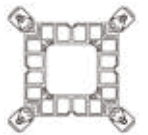
E



x4

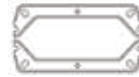
AMD Backplate
Screw Bolt

F



INTEL Reinforced
Backplate

G



Cooler Base
Mounting Bracket

H



x4

INTEL Stand-off

I



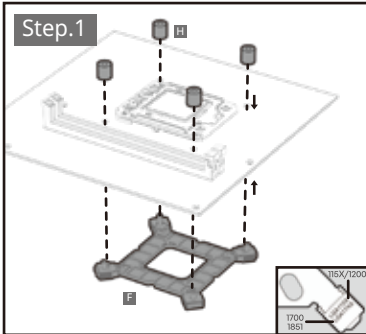
x4

INTEL Backplate
Screw Bolt

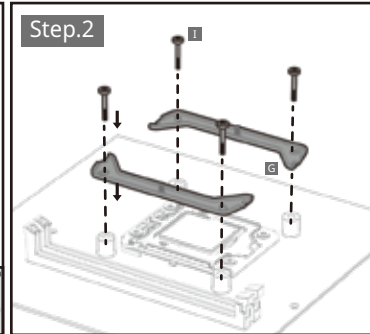
INTEL Installation Guide

(LGA 1851/1700/1200/115x)

Step.1



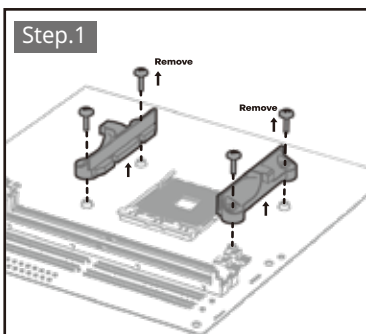
Step.2



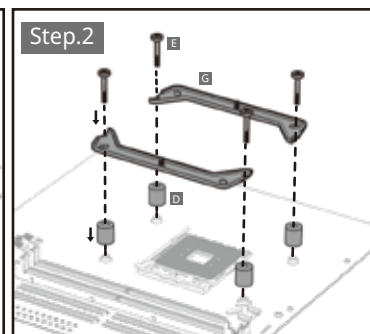
AMD Installation Guide

(Socket AM4 / AM5)

Step.1

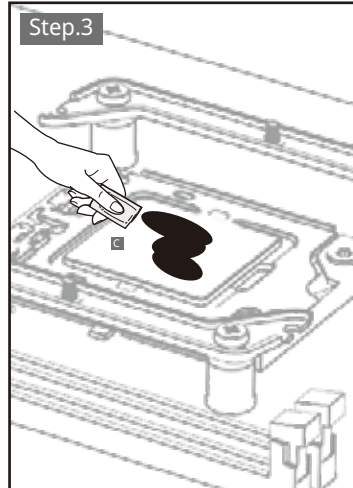


Step.2

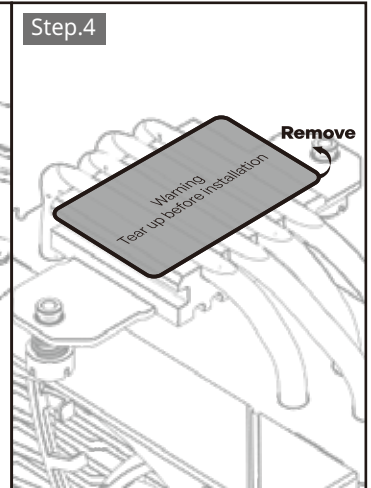


Installation Guide

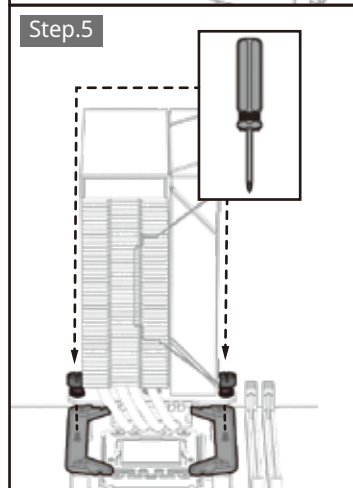
Step.3



Step.4



Step.5



Step.6

